

**PRODUCT SPECIFICATION**

**Open Frame Touch Monitor**  
**MODEL:ID1513-UC**

CUSTOMER:

CHECKED	APPROVED

SUPPLIER : EANDT.TECH CO.,Ltd

DRAWING	CHECK	APPROVAL
GUIDY		



## Specification:

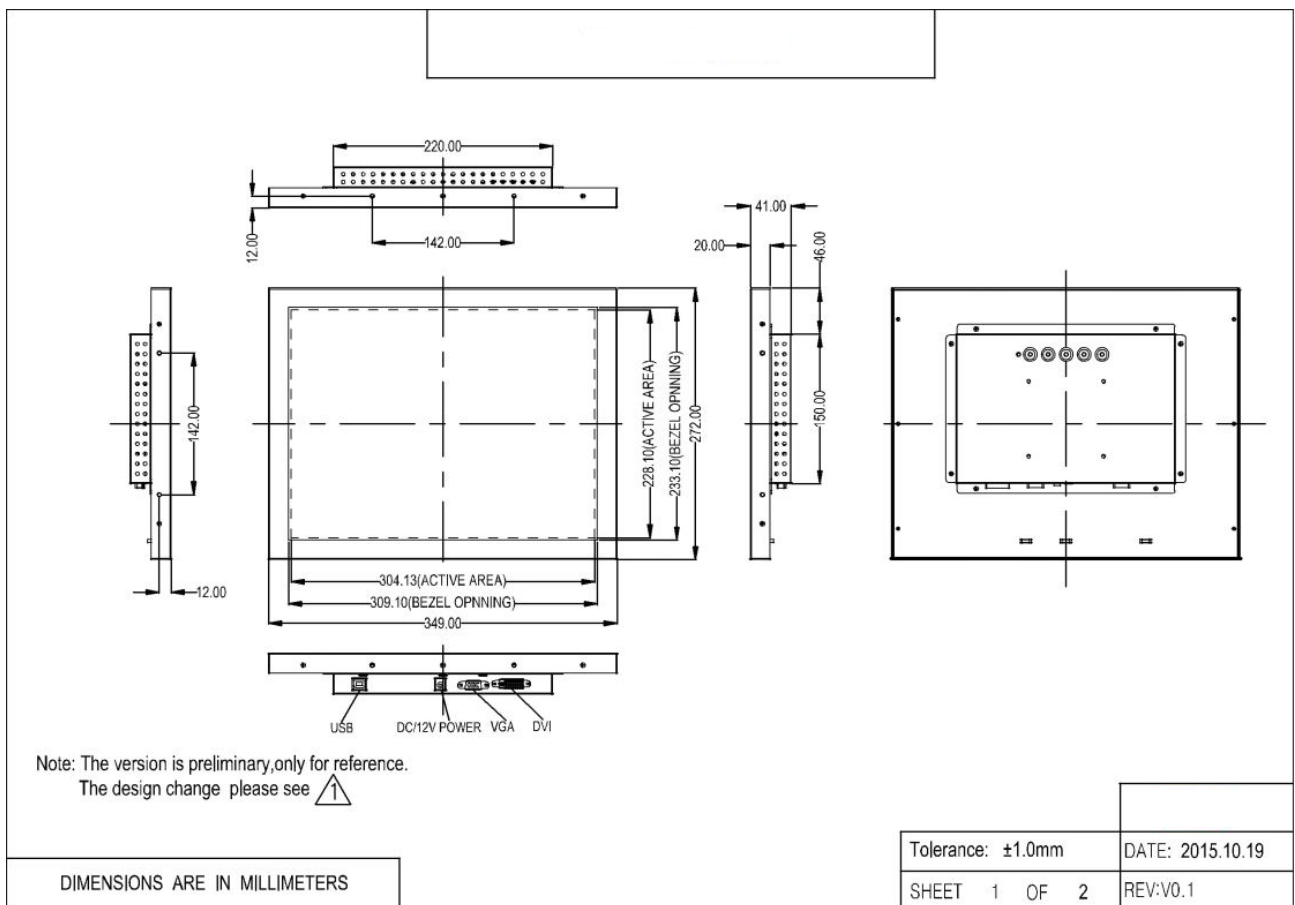
Model (E&T)	ID1513-UC
Display Type	15" Active Matrix TFT LCD
Case/Bezel Color	Black
Aspect Ratio	4:3
Active Display Area	LCD Panel: 304.1mm(H) × 228.1mm(V)
Native Resolution	1024 × 768 @ 60 Hz
Pixel Response Time (Typ.)	35 ms
Colors	16.7 million
Brightness (Typ.)	LCD Panel: 300 cd/m <sup>2</sup>
Contrast Ratio (Typ.)	800:1
Viewing Angle (from centre, CR>10)	Horizontal (left/right): 160° (80°/80°) Vertical (up/down): 145° (65°/80°)
Input Video Format	RGB Analog / Digital
Input Video Signal Connector	VGA / DVI-D
Input Frequency	Horizontal: 30 to 82 kHz Vertical: 60 to 75 Hz
Touch Technology	Projected Capacitive Touch (P-Cap)
Touch Point	MAX: 10 points
Touch Interface	USB
On Screen Display (OSD)	Control (back): Power, Auto, Menu, Up, Down
Power Supply	External Adapter: 100-240 VAC, 50-60 Hz Input Voltage Range: +12VDC ± 5%
Input Connector	DC: Coaxial power jack (2.5 mm pin diameter, 5.5 mm barrel diameter, 11.5 mm barrel length)
Power Consumption (Max)	LED: 20 W
Monitor Dimensions	349.0mm(W) × 272.0mm(H) × 41.0mm(D)
Shipping Carton Dimensions	TBD
Weight	Monitor/Shipping (Approximately): TBD
Touch Resolution	4096 × 4096
Touch Response Time	< 15ms
Transmittance	> 87%
Surface Hardness	≥7H
Click Life Time	No limited
Temperature Range	Operating: 0°C to 40°C (32°F to 104°F) Storage: -20°C to 60°C (-4°F to 140°F)
Relative Humidity	Operating: 20%-80% Storage: 10%-90%
Warranty	3 years LCD panel & Touch screen: 1 year



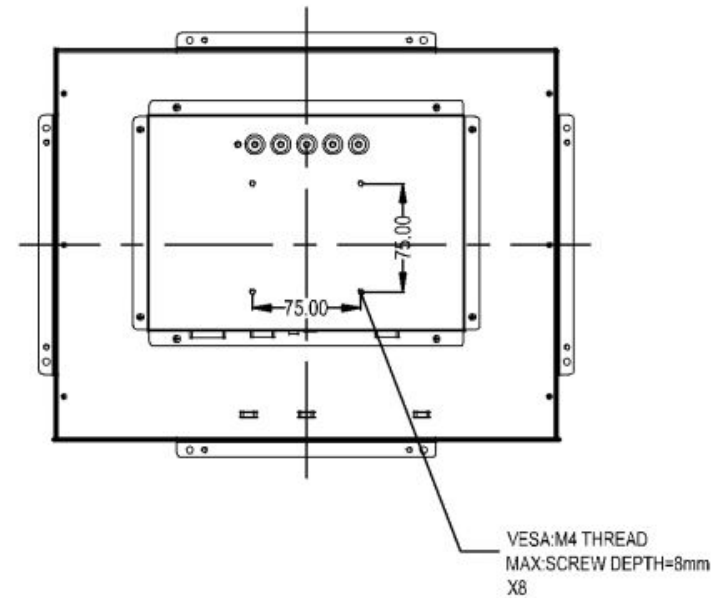
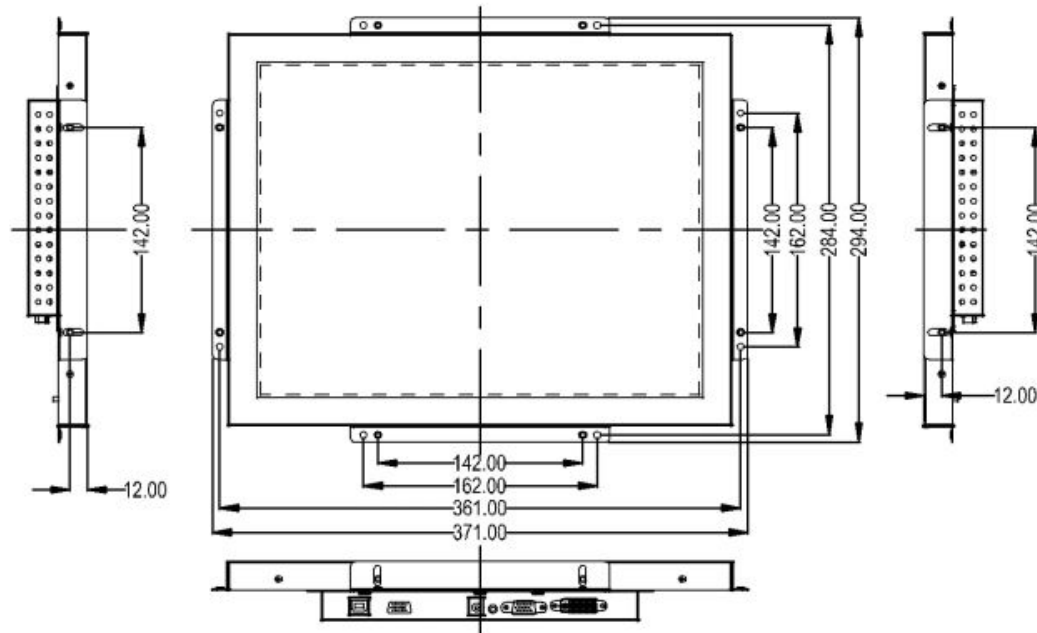
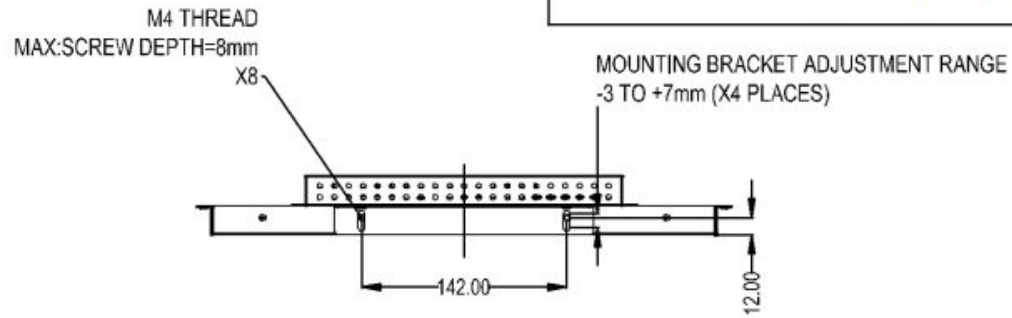
	MTBF: 50,000 hours demonstrated (Backlight Lamp Life, Hrs to 1/2 brightness)
Agency Approvals	FCC, CE


**MTBF (Mean Time Between Failures)**

An MTBF measurement is based on a statistical sample and is not intended to predict any one specific unit's reliability; thus MTBF is not, and should not be construed as, a warranty measurement.



# Rev 1.0



Note: The version is preliminary, only for reference.  
The design change please see 

DIMENSIONS ARE IN MILLIMETERS

Tolerance:  $\pm 1.0\text{mm}$

DATE: 2015.10.19

SHEET 2 OF 2

REV:V0.1